

# Manifold Coffee Table-Square



Blonde  
Ash &  
Brass



Walnut &  
Pewter

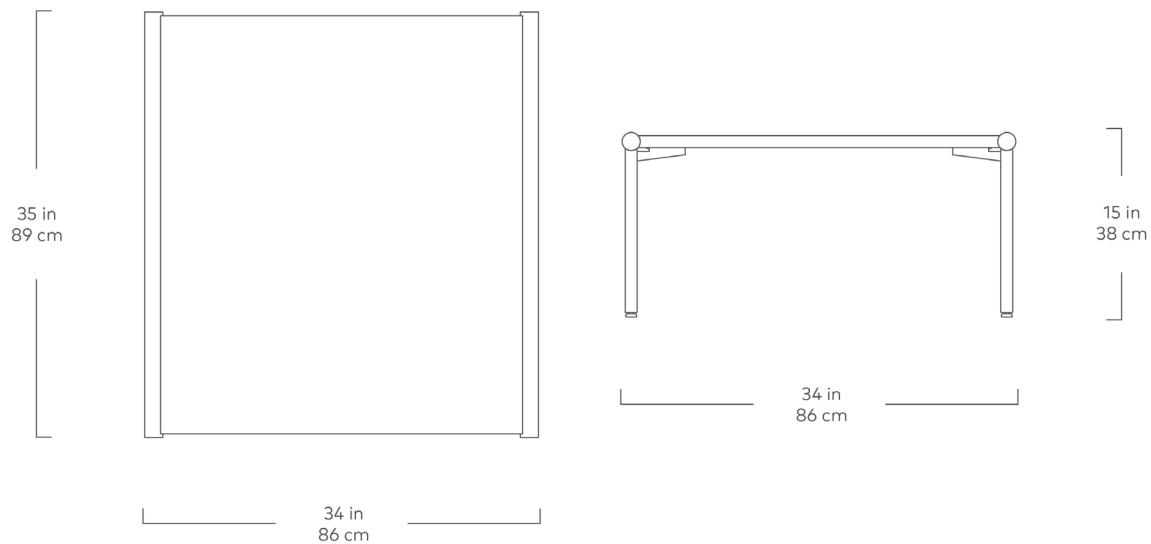
Bauhaus-inspired design gets a contemporary update with the Manifold collection. Featuring elegant, clean-lined tables that can stand alone or nest together, the well considered silhouettes optimize space with innovative design compatibility. The square coffee table serves as an ideal companion for sectionals or a grouping of armchairs, bringing people together for meaningful interaction. While the tabletop provides ample space to spread out, the slender metal legs contribute to an overall light, sleek aesthetic. Available in two combinations—Blonde Ash with Brass or Walnut with Pewter – each with the promise to elevate your space.

Design Trade Professionals: We aim to keep our designs in stock and ready to ship quickly for projects on a tight timeline. Designs may be customized with COM and alternate finishes (minimum quantities may apply).

**Gus\***

FOR PRODUCT INFORMATION, SWATCHES + ORDERING: [HELLO@RYPEN.COM](mailto:HELLO@RYPEN.COM) | 800.560.0554 | [WWW.RYPEN.COM](http://WWW.RYPEN.COM)

# Manifold Coffee Table-Square



- For strength and stability, table surface is a plywood core with real wood veneer in ash or walnut.
- Water-based, clear coat finish.
- Pewter and brass finish are vacuum-plated onto steel tubular legs.
- Brushed finish is durable and easy to maintain.
- Leveling, non-marking feet.
- Designed to nest with the Manifold Rectangular Coffee Table.
- Assembles easily with provided hardware.

**Gus\***



PROFESSIONALS

**rypen**  
STUDIO

Register for Our Exclusive  
Project Builder + Ordering Platform

